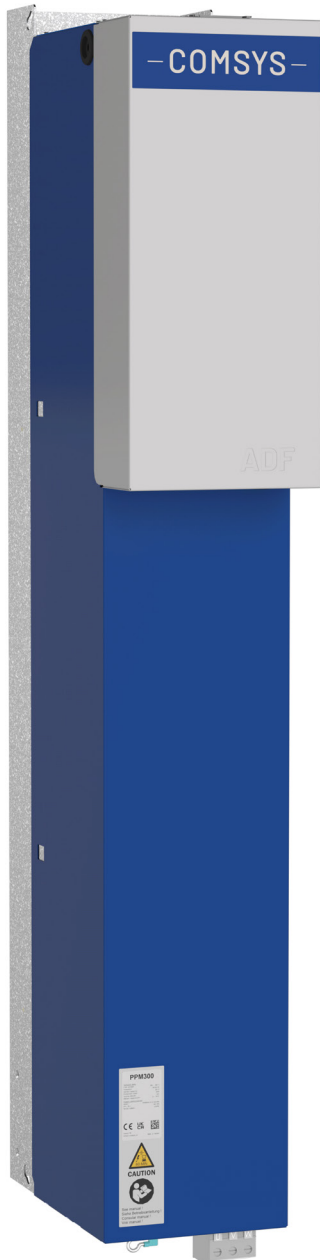


ACTIVE DYNAMIC FILTER SYSTEM INTEGRATION



WITH SYSTEM INTEGRATION, YOU GET:

- 1 Leading ADF technology integrated into your existing set-up
- 2 Flexible, customizable installation for optimal power density
- 3 Advanced power-quality control modes selectable on a harmonic-by-harmonic basis
- 4 Fast, intuitive commissioning via the ADF WUI Dashboard
- 5 Access to the System Integration Program training at ADF Academy

ADF PPM300-(50-125)/480 (PPM300v4)

MODEL	PPM300v4-3-A-50/480	PPM300v4-3-A-75/480	PPM300v4-3-A-100/480	PPM300v4-3-A-125/480
RATED CURRENT	50 A _{RMS}	75 A _{RMS}	100 A _{RMS}	125 A _{RMS}
SYSTEM VOLTAGE	480 V (208 - 480 V) ± 10 %			
NOMINAL FREQUENCY	50/60 Hz ± 10% (Including floating frequency)			
NUMBER OF PHASES	3 phase 3 wire			
NETWORK CONFIGURATION	TN, TT, IT (without earthed phase)			
HARMONIC COMPENSATION	Individual compensation up to 49th order			
RATE OF HARMONIC REDUCTION	Better than 98%			
COMPENSATION OF COS φ	Up to 1.0			
EXPANDABILITY	Up to three modules can be controlled by one SCC2-P3 or CM-CAB 4 Up to six modules can be controlled by one SCC2-P6 Cluster of several SCC2 units can work in parallel for up to ninety modules			
RESPONSE TIME	< 1 ms			
HEAT DISSIPATION	< 1130 W	< 1700 W	< 2390 W	< 3160 W
AIR FLOW	600 m ³ /h / 353 CFM			
NOISE LEVEL	< 70 dB(A)			
DIMENSIONS (W × H × D)	232.5 x 1445 x 431,5 mm [9.15 x 56.89 x 16,99 inch]			
WEIGHT	108 kg / 238 lbs			
ENCLOSURE COLOR	RAL 7035 (light grey), RAL 5017 (traffic blue)			
ENCLOSURE PROTECTION (UL508)	UL Open type			
STORAGE ENVIRONMENTAL CONDITIONS (IEC 60721-3-1)	Classes: 1K22/1Z1/1B1/1C2/1S11/1M11 Temperature range: -25 °C to 70 °C [-13 °F to 158 °F] Relative humidity: 0-95 % RH, non-condensing			
TRANSPORTATION ENVIRONMENTAL CONDITIONS (IEC 60721-3-2)	Classes: 2K12/2B1/2C2/2S1/2M4 Temperature range: -25 °C to 70 °C [-13 °F to 158 °F] Relative humidity: 0-95 % RH, non-condensing			
OPERATION ENVIRONMENTAL CONDITIONS (IEC 60721-3-3, UL508)	Classes: 3K22/3Z1/3B1/3S5/3M11 Temperature range: 0 to 50 °C, up to 40 °C [32 to 122 °F, up to 104 °F] without derating Surrounding air temperature 0 to 40°C [32 to 104 °F] (UL508) Relative humidity: 0-95 % RH, non-condensing			
ELECTROMAGNETIC COMPATIBILITY	EN 61000-6-2, EN 61000-6-4. Conducted emission EN 55011 class A			
APPROVALS	UL508/CSA22.2			

The devices shall be supplied with a Surge Protective Device certified to UL 1449 with at least 6.0kV MLV, In of 3kA, and Type 5, OR at least 6.0kV MLV and Type 1, 2, or 3.

Comsys AB does not assume any responsibility for use of any product or method described and also reserves the right to make changes at any time without prior notice in order to improve design and supply the best possible products.

ADF PPM300-(50-90)/600 (PPM300v2)

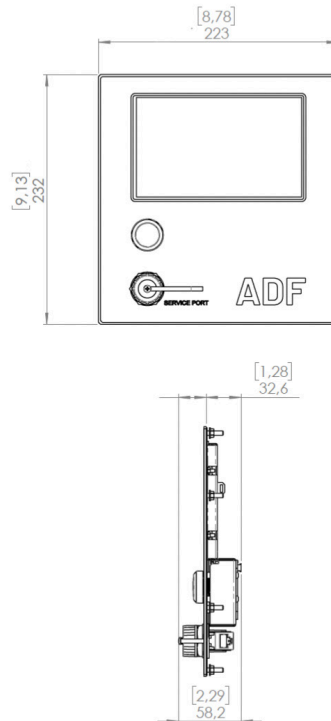
MODEL	PPM300v2-3-A-50/600	PPM300v2-3-A-90/600
RATED CURRENT	50 A _{RMS}	90 A _{RMS}
SYSTEM VOLTAGE	600 V (480-600 V) ± 10%	
NOMINAL FREQUENCY	50/60 Hz ± 10% (Including floating frequency)	
NUMBER OF PHASES	3 phase 3 wire	
NETWORK CONFIGURATION	TN, TT (without earthed phase)	
HARMONIC COMPENSATION	Individual compensation up to 49th order	
RATE OF HARMONIC REDUCTION	Better than 98%	
COMPENSATION OF COS φ	Up to 1.0	
EXPANDABILITY	Up to three modules can be controlled by one SCC2-P3 or CM-CAB 4B Up to six modules can be controlled by one SCC2-P6 Cluster of several SCC2 units can work in parallel for up to ninety modules	
RESPONSE TIME	< 1 ms	
HEAT DISSIPATION	< 1800 W	< 2969 W
AIR FLOW	600 m ³ /h / 353 CFM	
NOISE LEVEL	< 70 dB(A)	
DIMENSIONS (W × H × D)	232.5 x 1445 x 471.5 mm [9.15 x 56.89 x 18.56 inch]	
WEIGHT	138 kg / 304 lbs	
ENCLOSURE COLOR	RAL 7035 (light grey), RAL 5017 (traffic blue)	
ENCLOSURE PROTECTION (UL508)	UL Open type	
STORAGE ENVIRONMENTAL CONDITIONS (IEC 60721-3-1)	Classes: 1K22/1Z1/1B1/1C2/1S11/1M11 Temperature range: -25 °C to 70 °C [-13 °F to 158 °F] Relative humidity: 0-95 % RH, non-condensing	
TRANSPORTATION ENVIRONMENTAL CONDITIONS (IEC 60721-3-2)	Classes: 2K12/2B1/2C2/2S1/2M4 Temperature range: -25 °C to 70 °C [-13 °F to 158 °F] Relative humidity: 0-95 % RH, non-condensing	
OPERATION ENVIRONMENTAL CONDITIONS (IEC 60721-3-3)	Classes: 3K22/3Z1/3B1/3S5/3M11 Temperature range: 0 to 50 °C, up to 40 °C [32 to 122 °F, up to 104 °F] without derating Relative humidity: 0-95 % RH, non-condensing	
ELECTROMAGNETIC COMPATIBILITY	EN 61000-6-2, EN 61000-6-4. Conducted emission EN 55011 class A	
APPROVALS	UL508/CSA22.2	

The devices shall be supplied with a Surge Protective Device certified to UL 1449 with at least 6.0kV MLV, In of 3kA, and Type 5, OR at least 6.0kV MLV and Type 1, 2, or 3.

Comsys AB does not assume any responsibility for use of any product or method described and also reserves the right to make changes at any time without prior notice in order to improve design and supply the best possible products.

HMI 4

MODEL	HMI 4
CURRENT CONSUMPTION	300 mA at 24 V _{DC}
SYSTEM VOLTAGE	24 V _{DC}
DISPLAY SIZE	7"
ENCLOSURE COLOR	NCS S 1500-N
DIMENSIONS (W×H×D)	223 x 232 x 58.2 mm [8.78 x 9.13 x 2.29 inch]
FRONT PROTECTION CLASS (IEC 60529 / UL50E)	IP54/ UL Type 12
BACK PROTECTION CLASS (IEC 60529 / UL508)	IP20/ UL Open type
SURROUNDING AIR TEMPERATURE	0 to 40°C [32 to 104 °F]
ELECTROMAGNETIC COMPATIBILITY*	EN 61000-6-2 EN 61000-6-4 Conducted emission EN 55011 class A
APPROVALS	CE, UKCA, UL508/CSA22.2

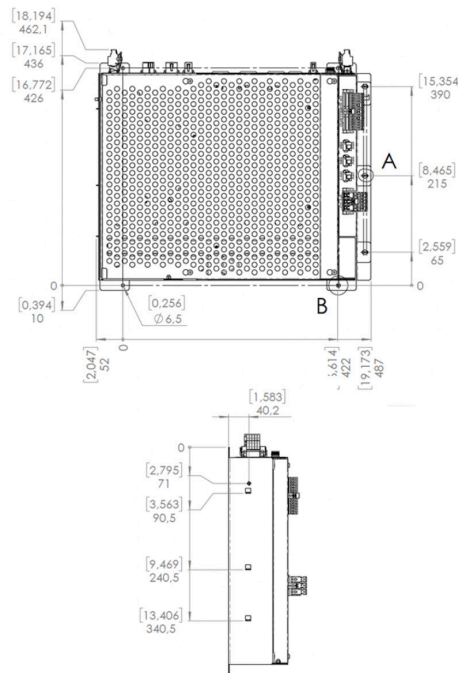


* Only applicable when used in a ADF P300 G4

Comsys AB does not assume any responsibility for use of any product or method described and also reserves the right to make changes at any time without prior notice in order to improve design and supply the best possible products.

CM-CAB 4(B)

MODEL	CM-CAB 4(B*)
SYSTEM VOLTAGE	208 - 600 V
NOMINAL FREQUENCY	50/60 Hz \pm 10% (Including floating frequency)
NETWORK CONFIGURATION	TN, TT (without earthed phase)
DIMENSIONS (W x H x D)	539 x 472.1 x 153.1 mm [21.22 x 18,59 x 6.03 inch]
WEIGHT	9 kg [19.84 lbs]
SURROUNDING AIR TEMPERATURE (UL508)	0 to 40°C [32 to 104 °F]
RELATIVE HUMIDITY	0-95 % RH, non-condensing
ALTITUDE	1000 m [3281 ft] without derating
POLLUTION DEGREE (IEC 62477-1, UL508)	2
OVERVOLTAGE CATEGORY (IEC 62477-1, UL508)	III
ELECTROMAGNETIC COMPATIBILITY**	EN 61000-6-2 EN 61000-6-4 Conducted emission EN 55011 class A
ENCLOSURE PROTECTION (IEC 60529 / UL508)	IP20 / UL Open type
APPROVALS	UL508/CSA22.2
PPM300 CAPACITY	One to three PPM300 modules



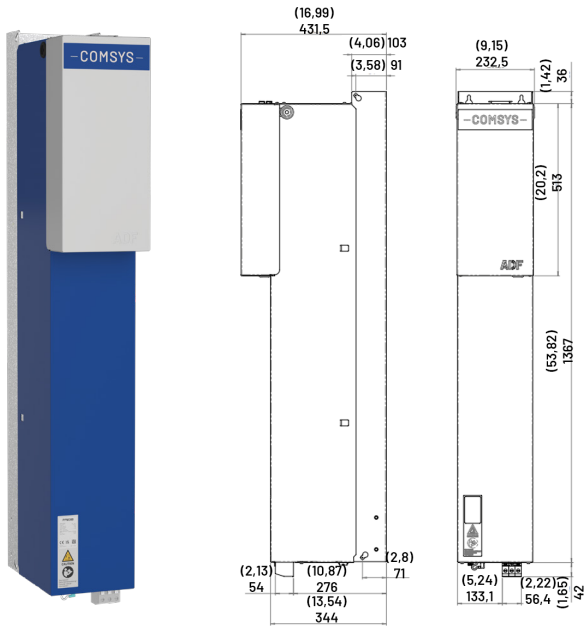
* CM-CAB 4 is UL-certified; CM-CAB 4B is currently pending UL certification and is expected to arrive in Q3 2025.

** Only applicable when used in a ADF P300 G4

Comsys AB does not assume any responsibility for use of any product or method described and also reserves the right to make changes at any time without prior notice in order to improve design and supply the best possible products.

DIMENSIONS

mm (inches) - ADF PPM300v4



mm (inches) - ADF PPM300v2

